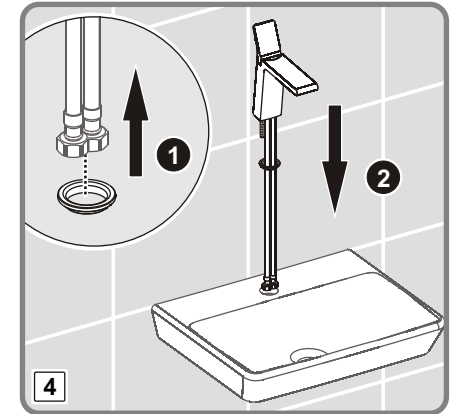
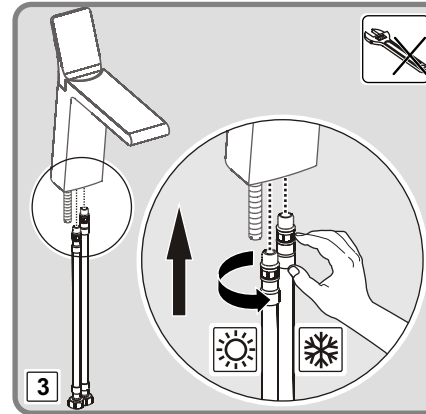
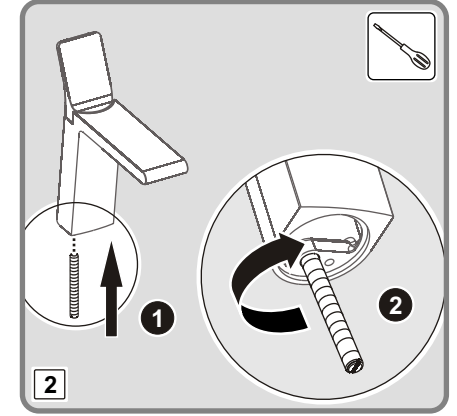
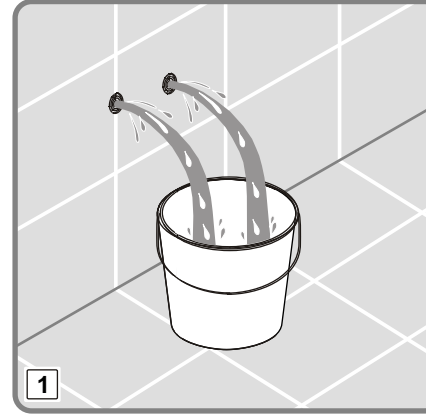
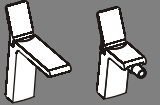
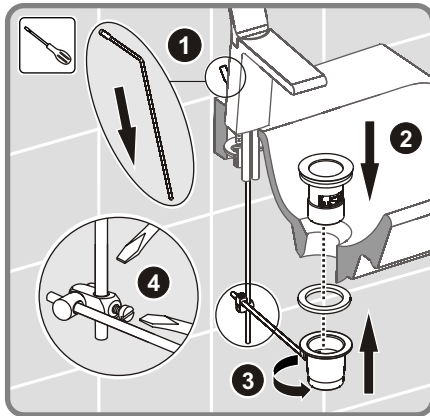
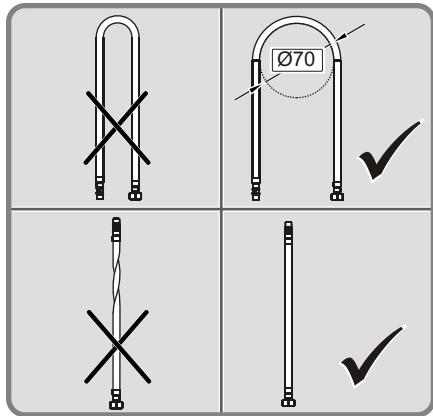
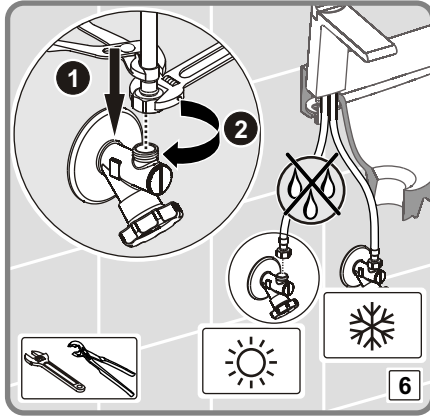
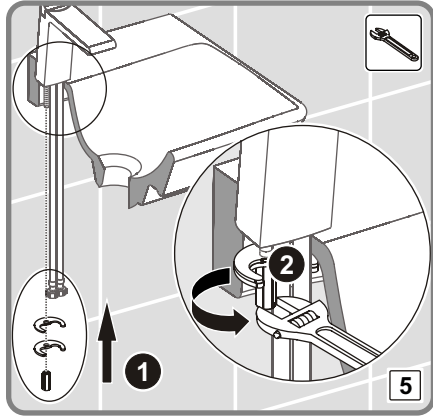
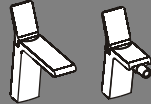


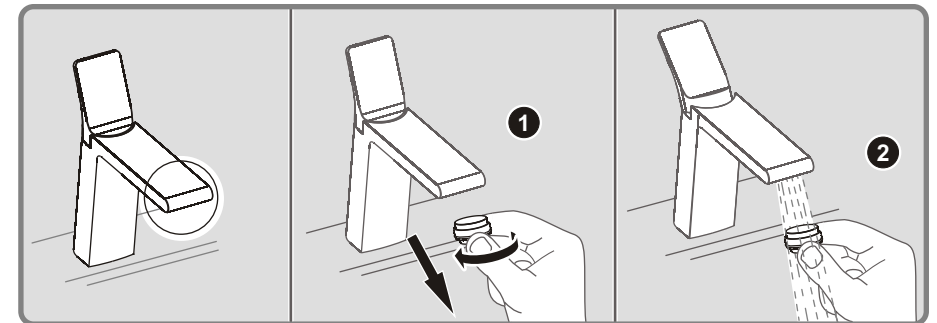
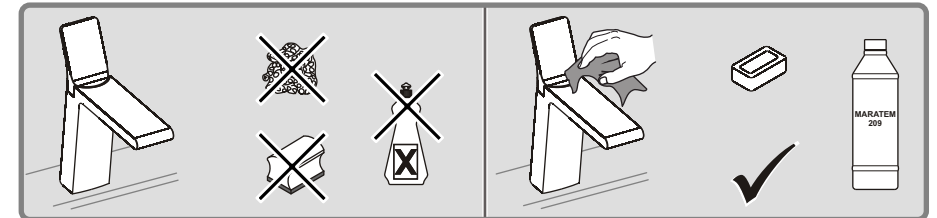
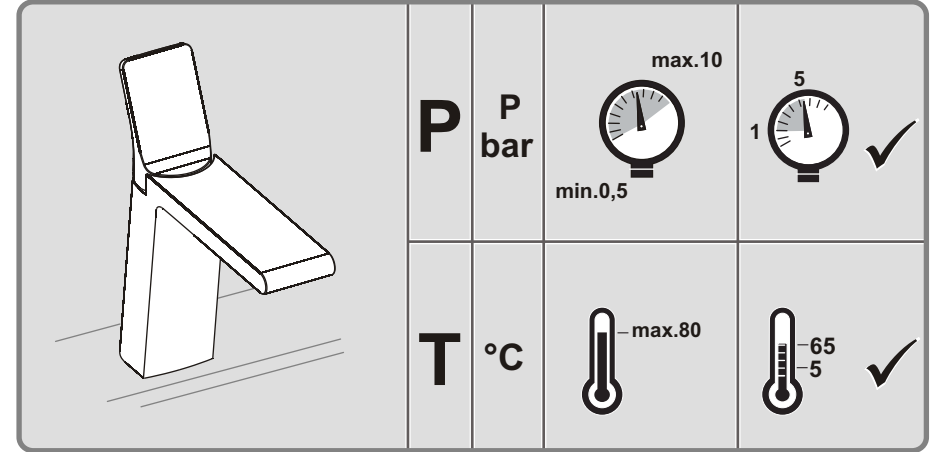
\*The feature of temperature and flow rate adjustment is valid for certain models.



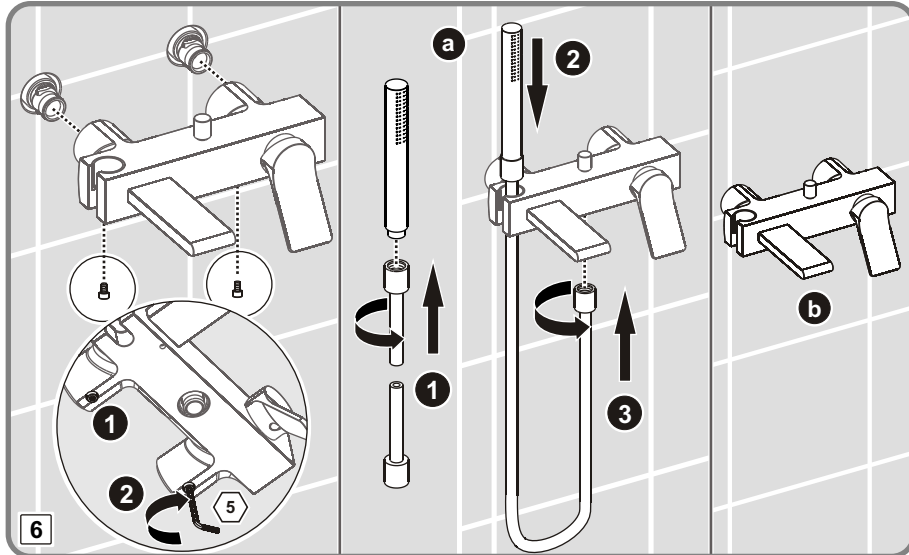
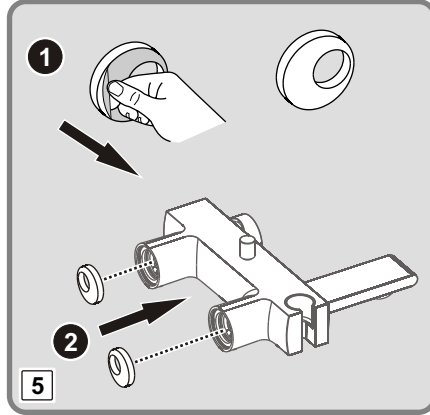
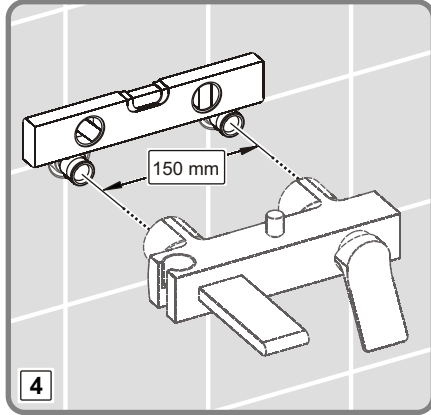
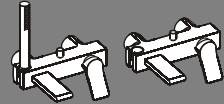
# VitrA



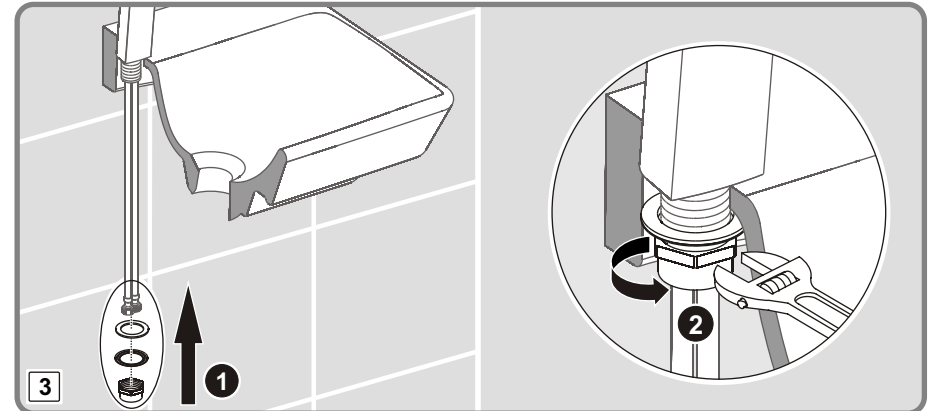
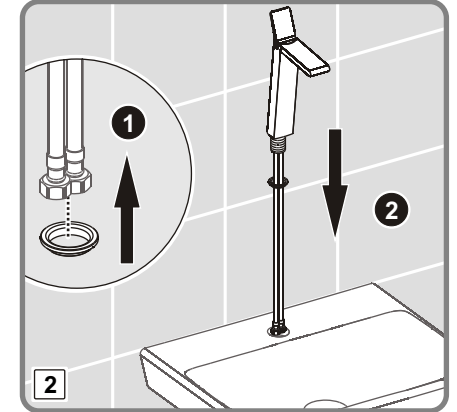
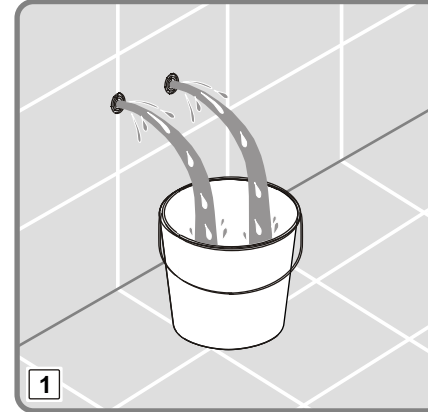
# VitrA



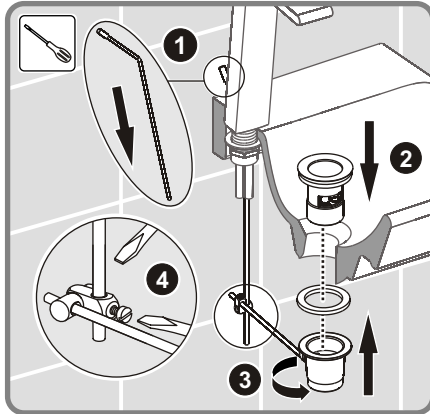
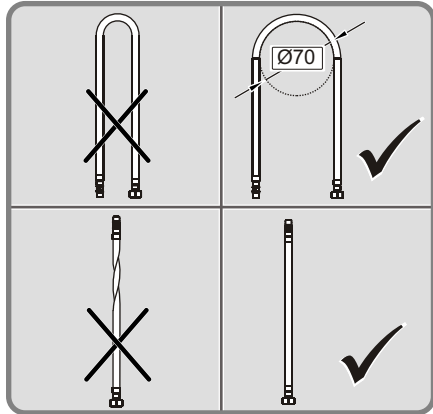
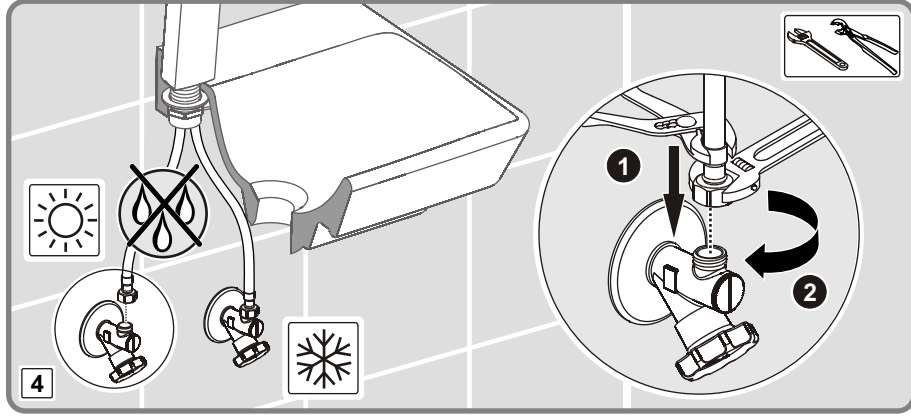
# VitrA



# VitrA



# VitrA



# VitrA

